

Female Luer Lock Connector
REF: FC-1



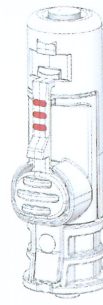
Closed Female Connector for connection of two IV tubing segments.

Female LL Connector Swivel
REF: FC-1S



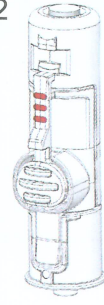
Closed Female Connector for connection of two IV tubing segments with 360° rotation of the Luer Lock port.

Luer Lock Adaptor 2
REF: LL-2



Closed Male Luer Lock Adaptor for injection into Luer Lock port.

Luer Lock Adaptor 2 Swivel
REF: LL-2S



Closed Male Luer Lock Adaptor for injection into Luer Lock port with rotating Luer Lock port.

Indications for Use:

Closed System drug Transfer Device (CSTD) for preparation, reconstitution, compounding and administration of drugs, including antineoplastic and hazardous drugs. This closed system mechanically prohibits the transfer of environmental contaminants into the system and the escape of drug or vapor concentrations outside the system, thereby minimizing individual and environmental exposure to drug vapor, aerosols, and spills and also prevents microbial ingress.

Instruction for Use:

- Disinfect the access port septum of the device before each repeated connection by wiping the septum in circular motions for at least 5 seconds with a sterile 70% isopropyl alcohol prep pad. Allow the alcohol to dry sufficiently before re-accessing. Do not use a pad if the pad packaging is damaged as the pad may not be sterile.
- This device should only be used under the supervision of a Pharmacist or Health Care Professional upon careful review of the instructions for use.
- This device is not intended to be used with blood or blood products.
- This device is not to be used with high-pressure infusion systems.
- Prevention of microbial ingress has been substantiated to a time period of 7 days.
- Multiple reconnection of components has been substantiated up to 10 times.
- Caution: U.S. law restricts this device to sale by or on the order of a pharmacist or health care professional. RX Only.



Single Use Only, do not re-use



The device is not made with DEHP



Do Not Use if package is damaged



The device is not made with natural rubber latex



Do Not resterilize



Sterilized using ethylene oxide



Dispose of used materials safely, according to your local regulations

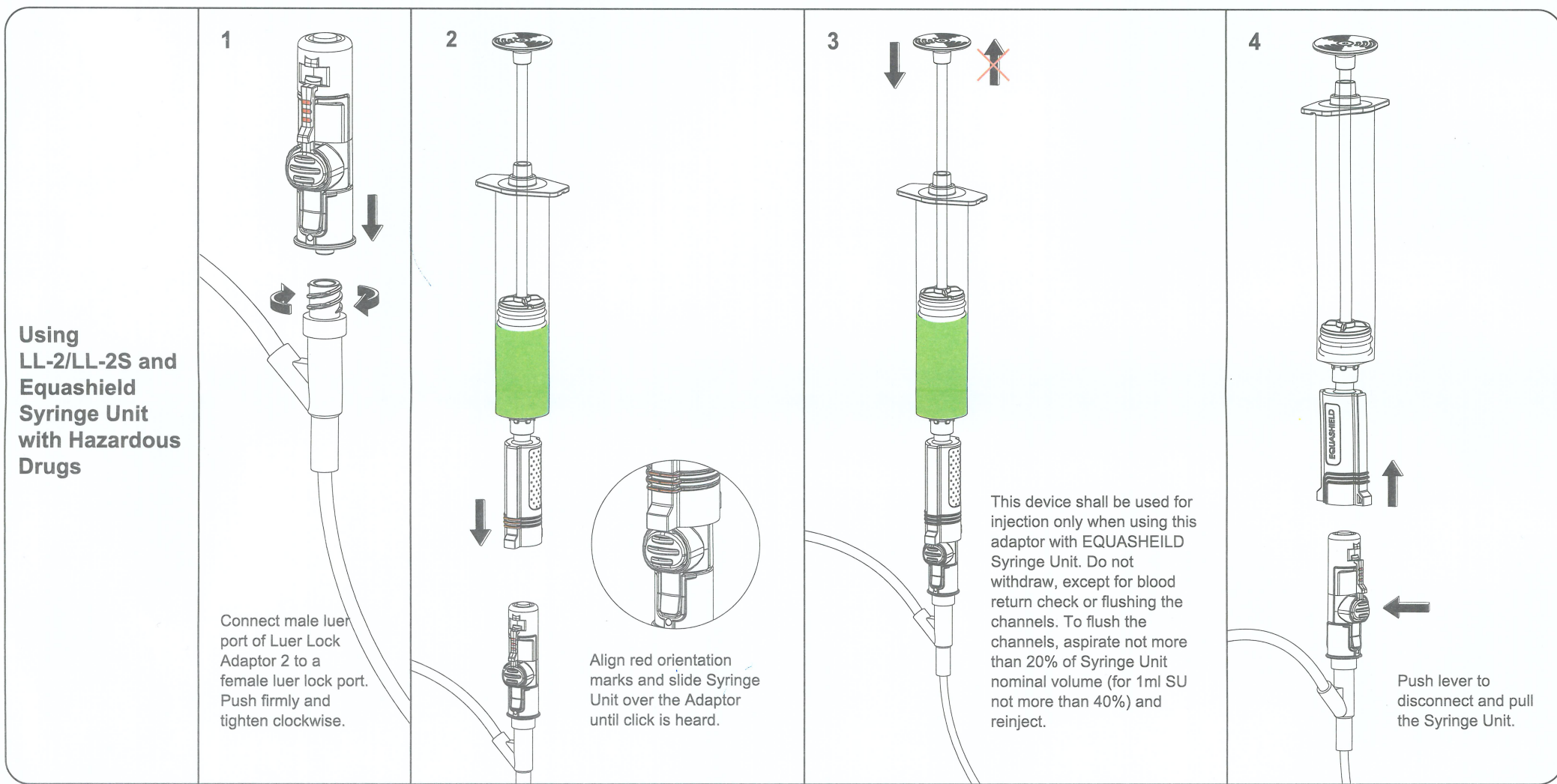
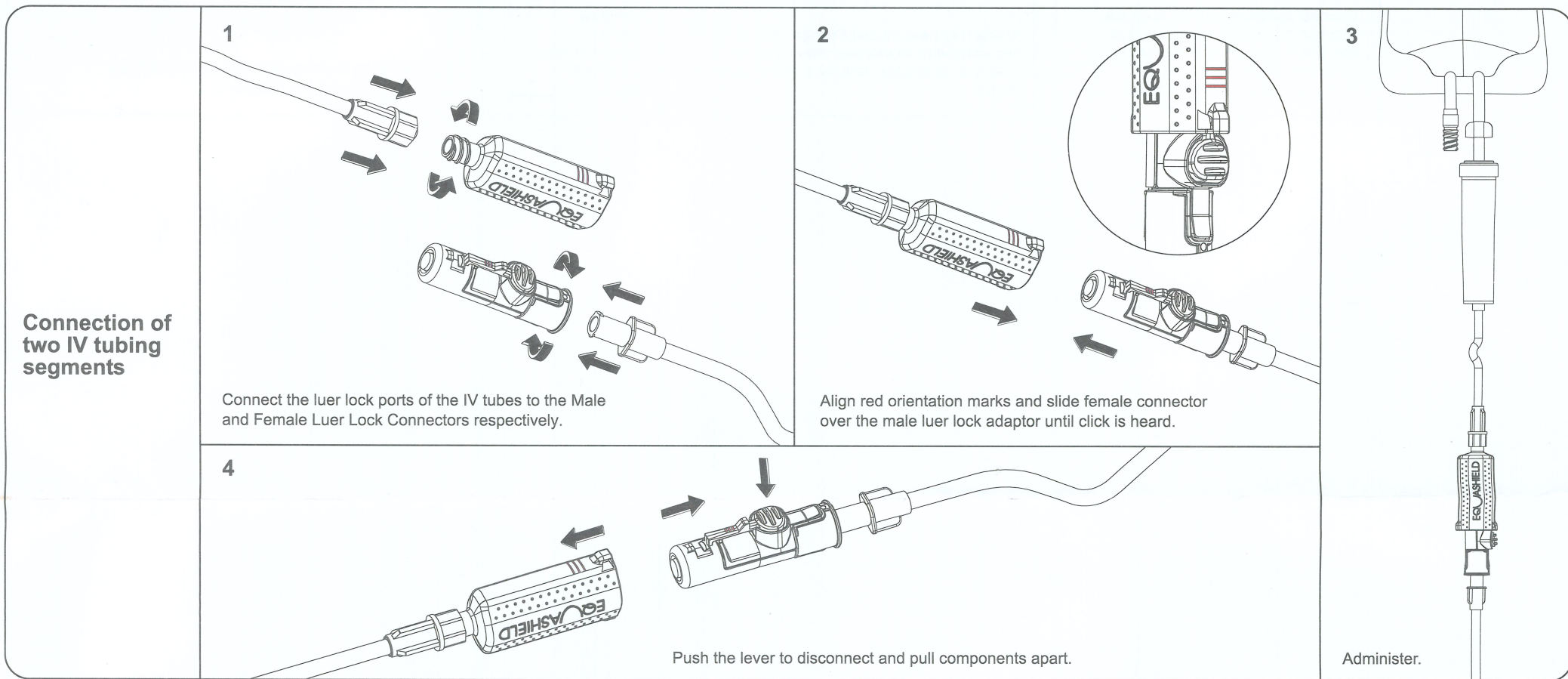


Consult Instructions For Use



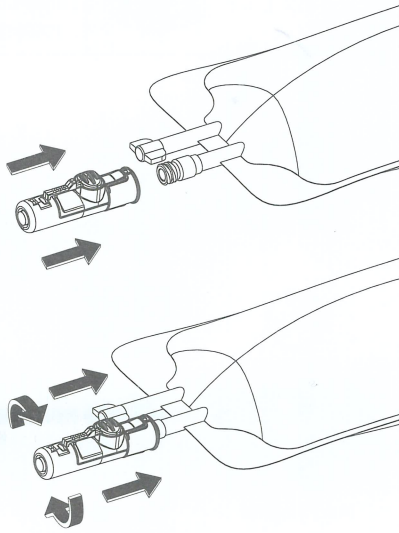
Non Pyrogenic

QTY
Quantity



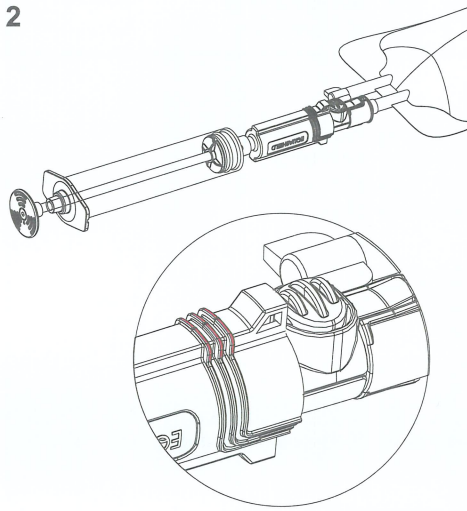
**Using
LL-2/LL-2S and
Equashield
Syringe Unit
with
Non-Hazardous
fluids**

1



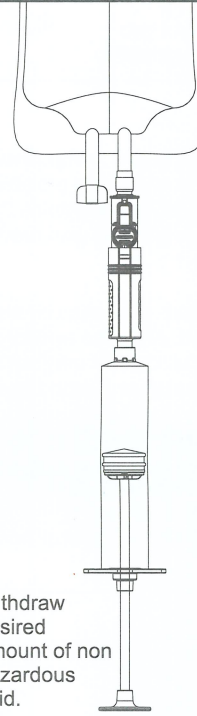
Connect male luer port of Luer Lock Adaptor 2 to the female luer port of the diluent bag, or of any other non hazardous source. Push firmly and tighten clockwise.

2



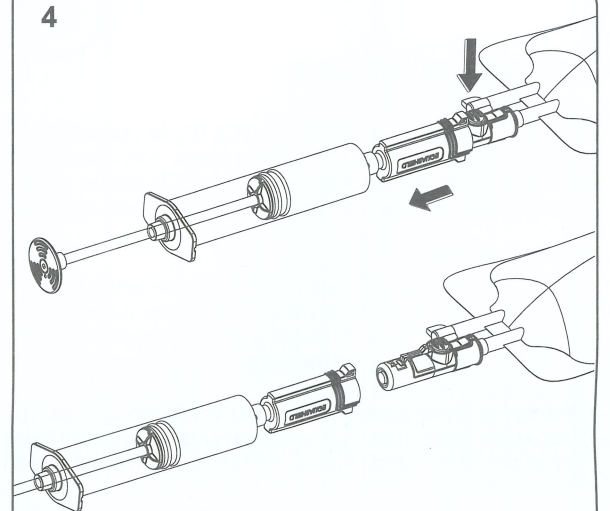
Using only new/unused Syringe Unit, align red orientation marks and slide Syringe Unit over Luer Lock Adaptor 2 until click is heard.

3



Withdraw desired amount of non hazardous fluid.

4



Push lever to disconnect and pull the Syringe Unit from Luer Lock Adaptor 2.

